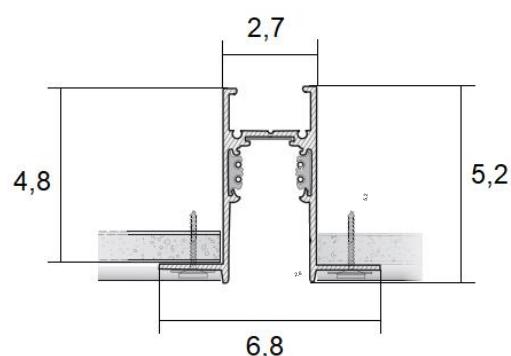


ALFA TRACK MAGNETIC52 2m GIPS1 + 2x END CAP WH

AZ5453, EAN5901238454533

Product Specifications

Type	FLUSH-MOUNTED TRACK LINE
Type of track	MAGNETIC ~ 48V
Possible Adjustment	N/A
Color	WHITE
Material	ALUMINIUM
Light source	N/A
Type of source	N/A
Lumens	N/A
Kelvins	N/A
Beam angle	N/A
Dimmable	N/A
Type of DIMM	N/A
CCT	N/A
Type of CCT	N/A
Lifetime	N/A
Type of control	N/A
Remote control	N/A
CRI	N/A
Track adapter	N/A
Voltage	48V
Power	N/A
Switch location	N/A
Protection class	N/A
Tilt	N/A
Rotation	N/A



Dimensions

Product	height / width / length [cm]	5,2 x 6,8 x 200
Mounting inlet	depth / width / length [cm]	4,8 x 2,7 x 200
Ceiling base	height / diameter / width / length [cm]	- x - x - x -
Shades	height / diameter / width / length [cm]	- x - x - x -
Wall base	height / diameter / width / length [cm]	- x - x - x -
Table base	height / diameter / width / length [cm]	- x - x - x -
Floor base	height / diameter / width / length [cm]	- x - x - x -

Included
2x END CAP

Azzardo Sp. z o.o.
ul. Strzeszyńska 33 60-479 Poznań,
NIP: 929-185-75-07

Azzardo[®]
LIGHTING

www.azzardolighting.com